

ALWAYS THE FIRST, ALWAYS THE BEST

Gyro-Trac introduced the first front attachment with PLANAR teeth & a controlled bite RIB in 2003. It was Gyro-Trac that developed the trade name "PLANAR" tooth for mulching. Today, Gyro-Trac is first to introduce the *BEST*, most *ADVANCED* and *PATENTED* cutting technology.

INTERNAL DRIVE MOTOR

US Pat. No. 7,980,278

CA Pat. No. 2,597,973

CONTROLLED BITE

US Pat. No. 7,810,531

US Pat. App. No. 14/146,077

CA Pat. No. 2,546,294

**LET THE FACTS SPEAK
FOR THEMSELVES!**

MOUNTING ASSEMBLY

US Pat. No. 7,810,531

US Pat. App. No. 14/146,077

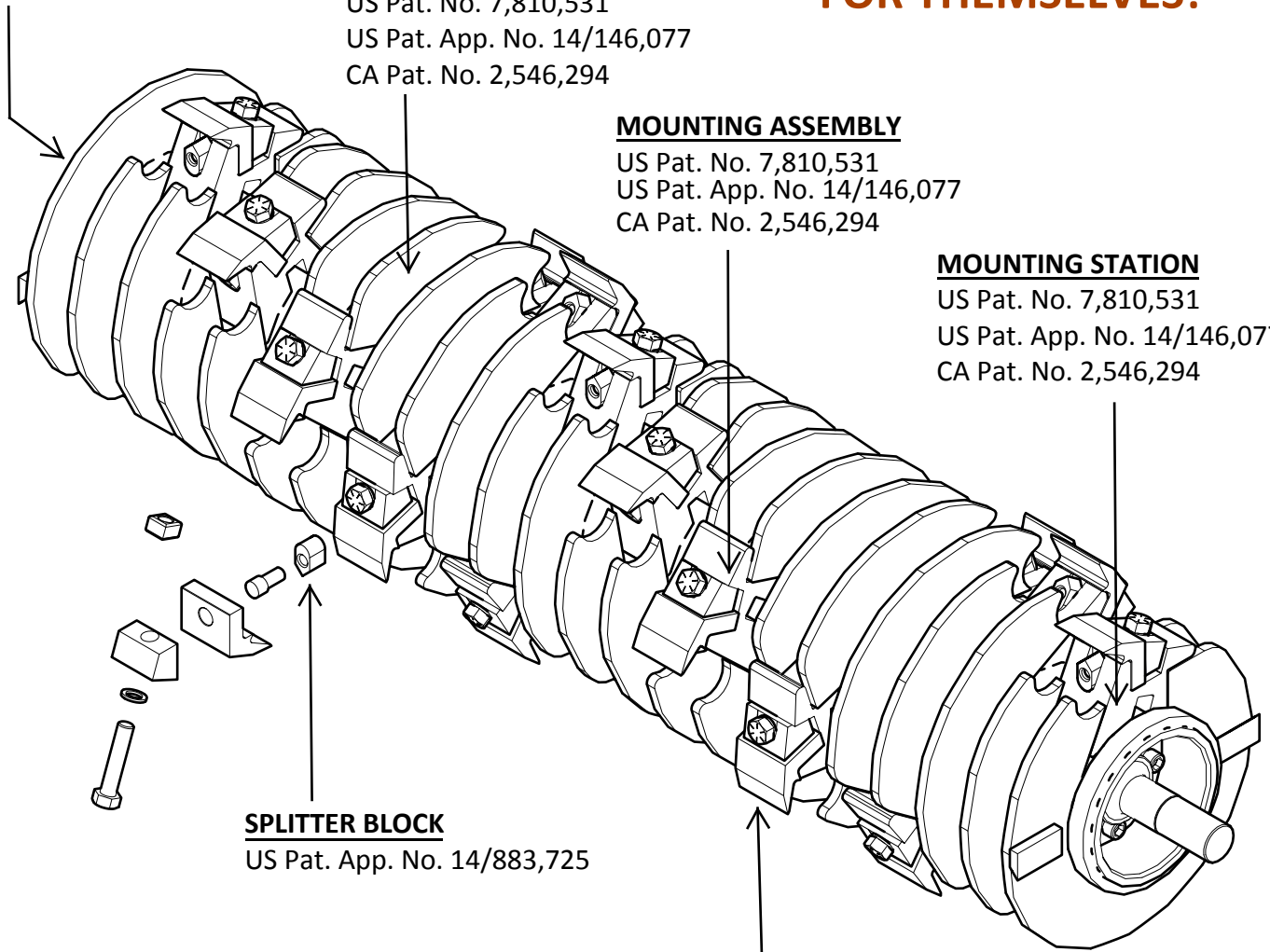
CA Pat. No. 2,546,294

MOUNTING STATION

US Pat. No. 7,810,531

US Pat. App. No. 14/146,077

CA Pat. No. 2,546,294



SPLITTER BLOCK

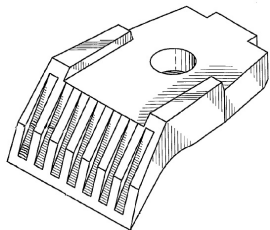
US Pat. App. No. 14/883,725

CUTTING TOOTH

US Pat. No. 8,167,225

US Pat. No. 8,893,997

CA Pat. No. 2,582,263



**Gyro-Trac Owns over 20 Patents and Patents Pending,
including the above Cutter-head Patents.**